



- Outstanding speed
- Single or twin robots
- Cost efficient

This is a gantry designed for reliable, accurate and economic welding solutions for large components such as excavators, containers and earth moving equipment etc. The TSG is servo powered and fully synchronized with the robot controller.

The TSG is built up by two and four meter modules to any desired length with a suitable number of supporting pillars. In the twin systems, with several robots applied to the Y-beam, the robots can work together or independant of each other.

Options

- Pillar height (H): 4300, 4600 or 4900 mm
- Additional carrier
- Zone limitations (up to four zones)
- Bracket mount for TSG-y
- Accompanying wire barrel

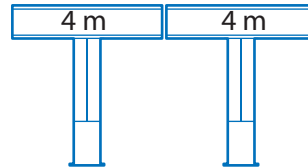
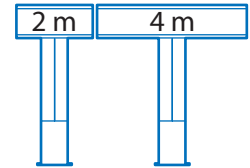
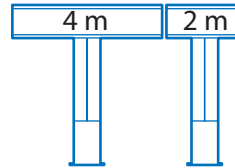
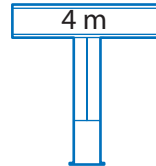
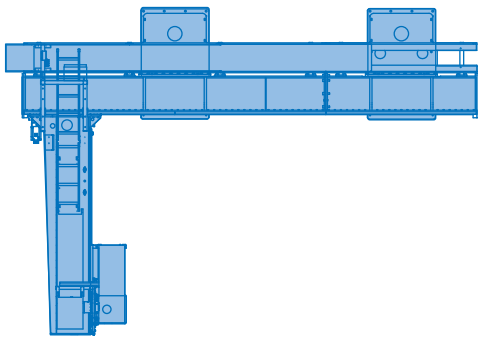
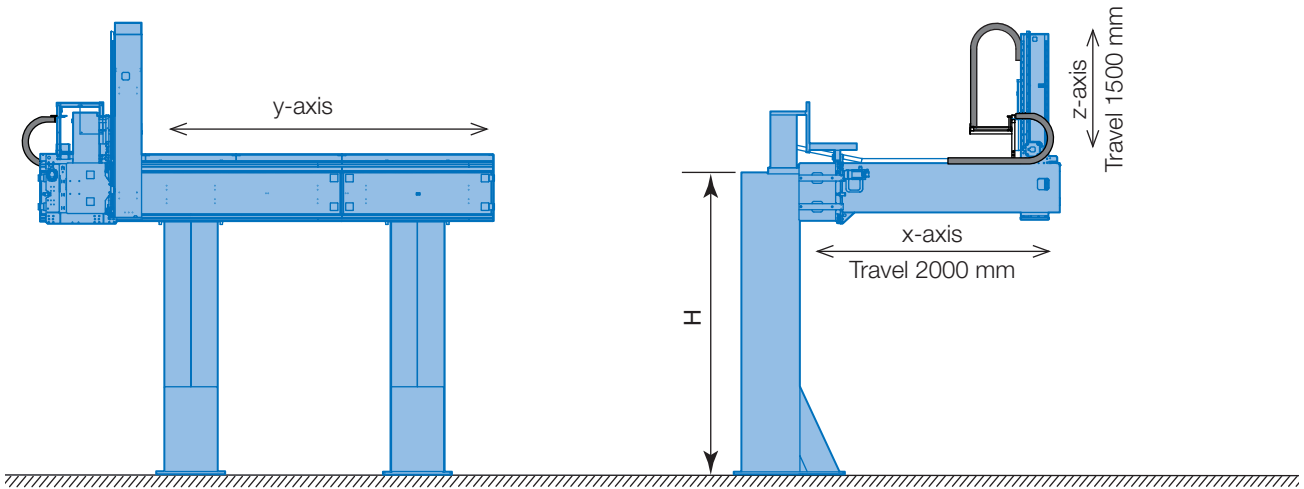
Technical data			TSG-y	TSG-yx	TSG-yz	TSG-yxz
			<i>y-axis</i>			
Travel length		mm	L-975	L-1100	L-1100	L-1100
Standard length (L) in 2 meter steps		meter	4-24	4-24	4-24	4-24
Standard pillar height		meter	4	4	4	4
Maximum speed, 50% duty cycle		m/s	1.5	1.5	1.5	1.5
Acceleration		m/s ²	1.5	1.5	1.5	1.5
Travel	0.5 / 1.0 meter	s	1.24 / 1.72	1.24 / 1.72	1.24 / 1.72	1.24 / 1.72
Travel	1.2 / 1.5 meter	s	1.87 / 2.08	1.87 / 2.08	1.87 / 2.08	1.87 / 2.08
			<i>x-axis</i>			
Travel length		mm	--	2000	--	2000
Maximum speed, 50 % duty cycle		m/s	--	1.5	--	1.5
Acceleration		m/s ²	--	2.5	--	2.5
Travel	0.5 / 1.0 meter	s	--	0.98 / 1.35	--	0.98 / 1.35
Travel	1.2 / 1.5 meter	s	--	1.49 / 1.69	--	1.49 / 1.69
			<i>z-axis</i>			
Travel length		mm	--	--	1500	1500
Maximum speed, 20% duty cycle		m/s	--	--	0.5	0.5
Acceleration		m/s ²	--	--	1.25	1.25
Travel	0.5 / 1.0 meter	s	--	--	1.33 / 2.31	1.33 / 2.31
Travel	1.2 / 1.5 meter	s	--	--	2.70 / 3.29	2.70 / 3.29
Suitable for industrial robots			1)	2)	3)	3)

¹⁾ MH6, MH6-10, HP20D, MA1400, MA1900, MA1800, MH50-20, MH50

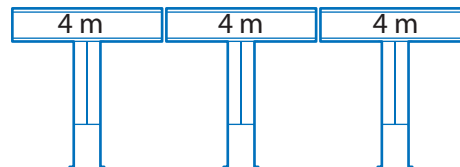
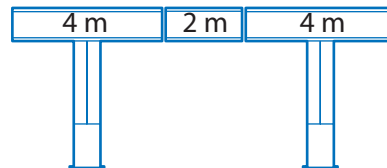
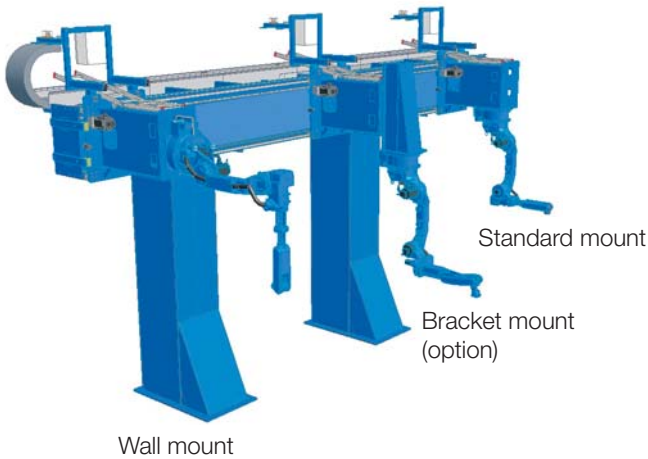
²⁾ MH6, MH6-10, HP20D, MA1400, MA1900, MA1800

³⁾ MH6, MH6-10, HP20D, MA1400, MA1900

TSG-yxz



Possible mounting positions



Technical data may be subject to change without previous notice
 © YASKAWA Nordic AB · 1034EN-02 2012-08