

MOTOMAN MS165

Spot Welding with the MS-series



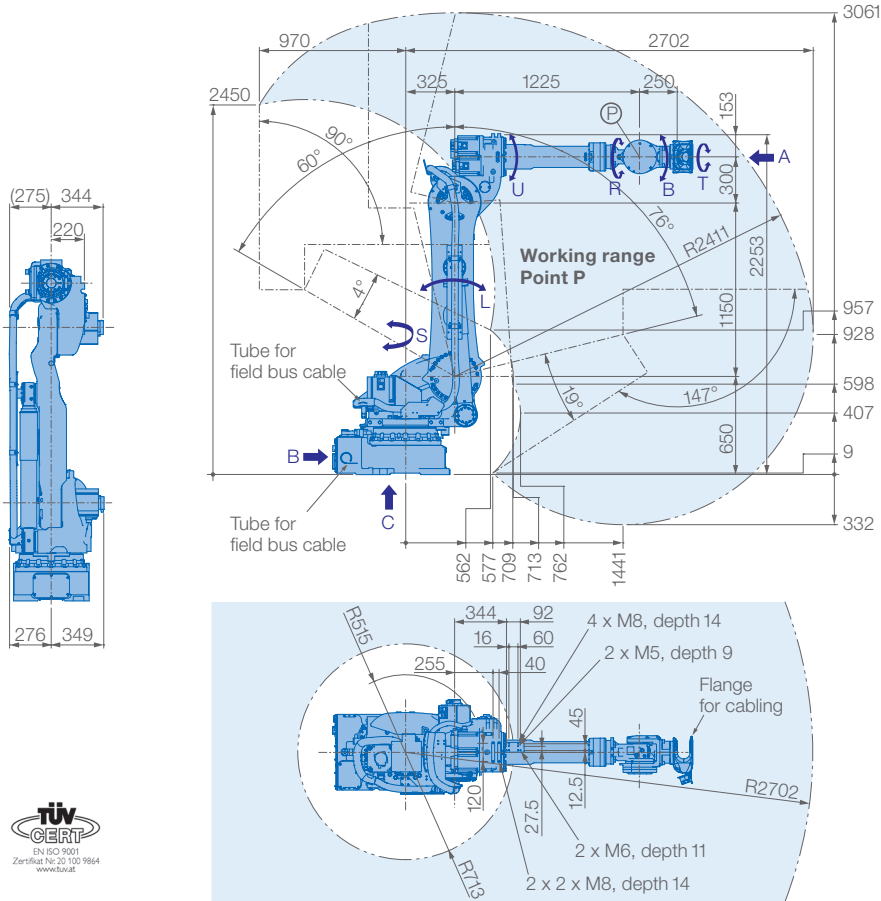
The 6-axis MOTOMAN MS165 is a versatile, high speed robot offering superior performance in spot welding applications.

The MOTOMAN MS165 offers a large motion range and is equipped with external cables for flexible mounting of large spot welding guns, which contributes to increase the number of welding points per manipulator. The width of the MOTOMAN MS165 has been decreased by 625 mm and the installation area has also been reduced. In addition the payload has been increased to 165 kg.

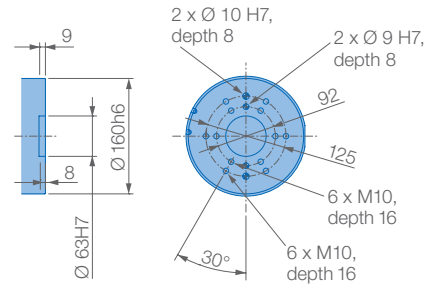
The number of power cables has been reduced from two to one resulting in reduced maintenance. A new vibration control system has been developed thanks to higher rotational axis speeds and rigidity of speed reducers. By reducing the cycle times, this system realises high increases in productivity.

KEY BENEFITS

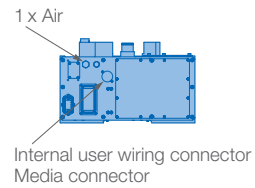
- Fast, flexible and powerful
- High payload: 165 kg
- Wide motion range: 2702 mm
- Maximum performance using minimal floor space
- Equipped with media hose package for mounting spot welding guns
- Reduced maintenance (cable reduction from 2 to 1)



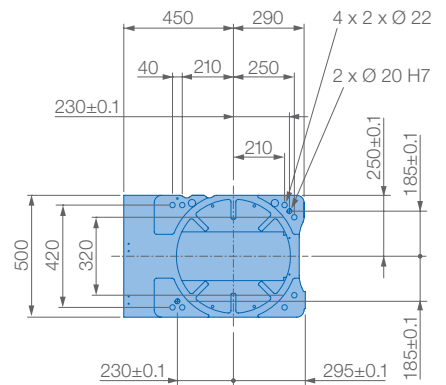
View A



View B

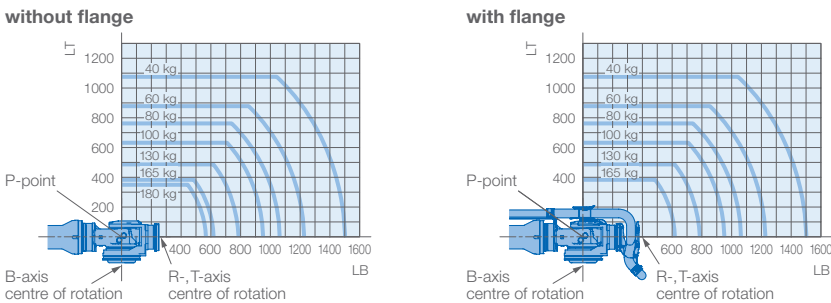


View C



Mounting option: Floor
Protection class: IP54/67

Allowable wrist load



Specifications MS165

Axes	Maximum motion range [°]		Maximum speed [°/sec.]		Allowable moment [Nm]		Allowable moment of inertia [kg · m ²]		Flange	
	without	with*	without	with	without	with	without	with	without	with
S	±180		125		-		-		Controlled axes	
L	+76/-60		115		-		-		Max. payload [kg]	
U	+90/-147		125		-		-		180	165
R	±360	±210	182		1000	951	90.0	88.0	Repeatability [mm]	
B	±130		175		1000	951	90.0	88.0	Max. working range R [mm]	
T	±360	±210	265		618		46.3		Temperature [°C]	
									Humidity [%]	
									Weight [kg]	
									Power supply, average [KVA]	

* Recommended values

