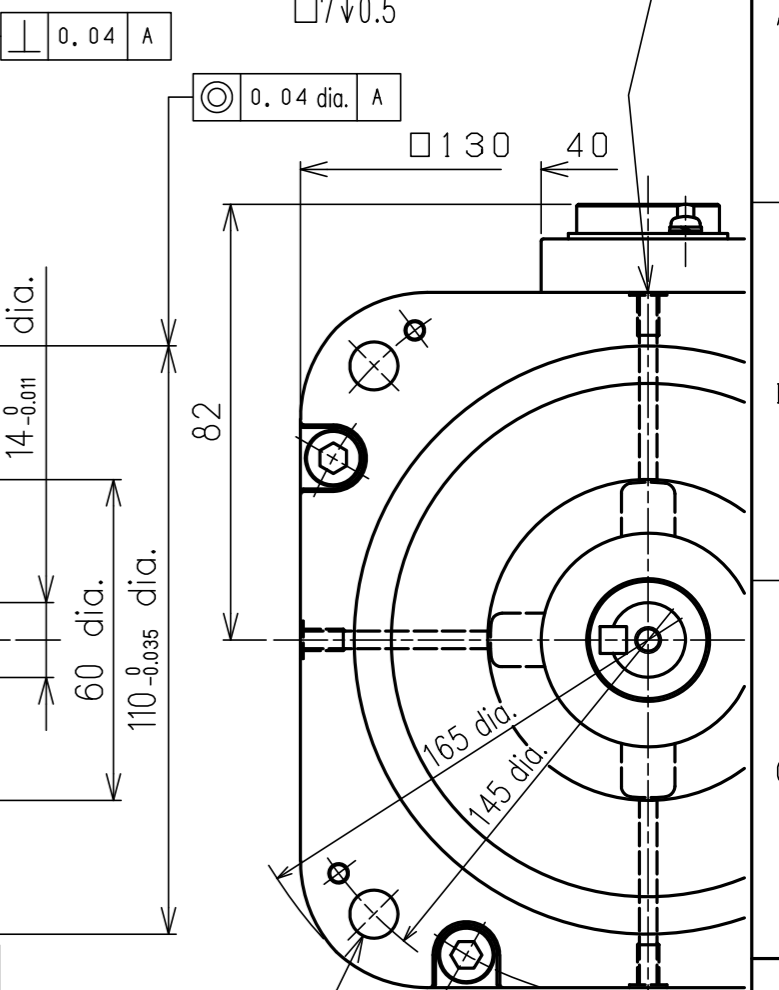
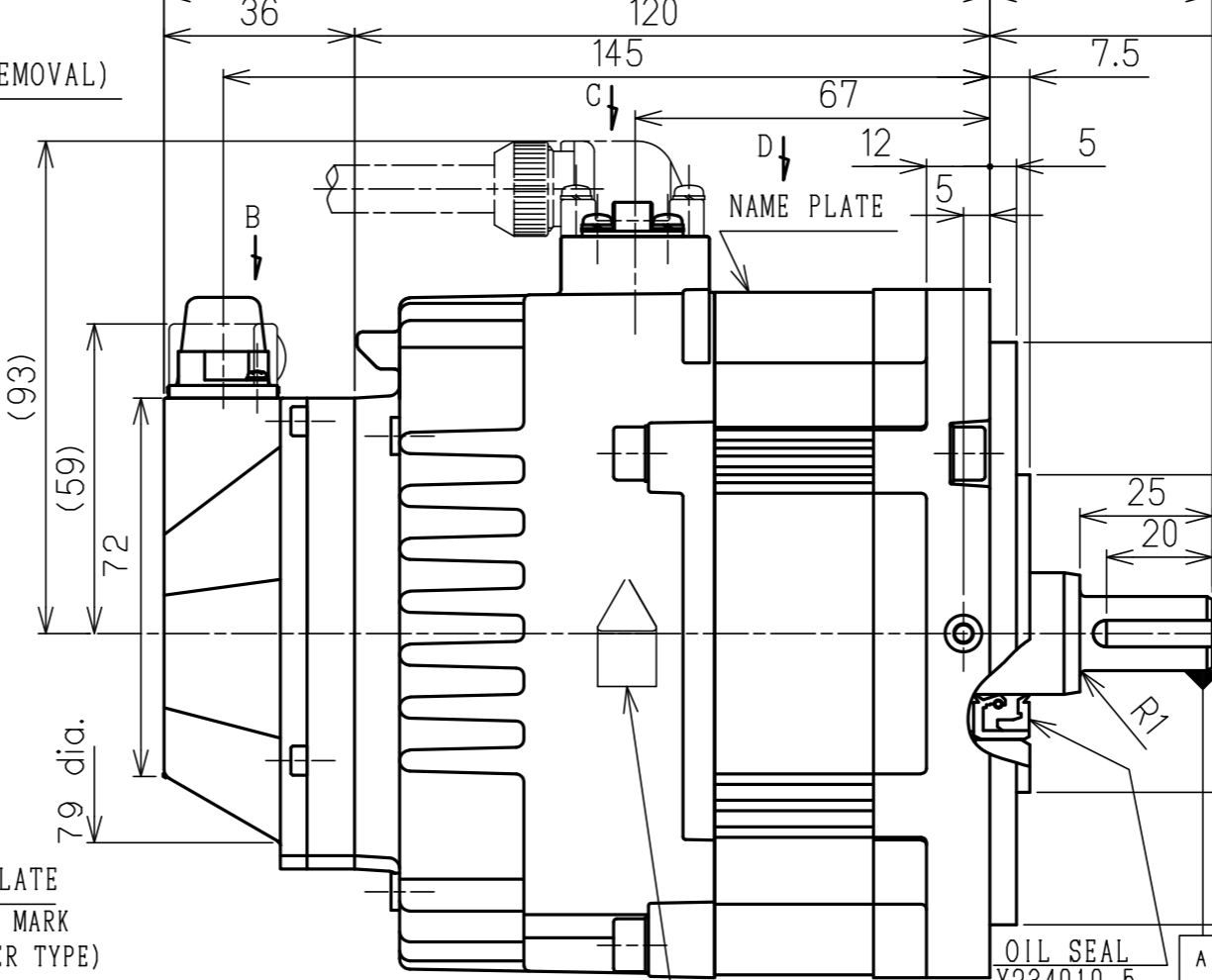
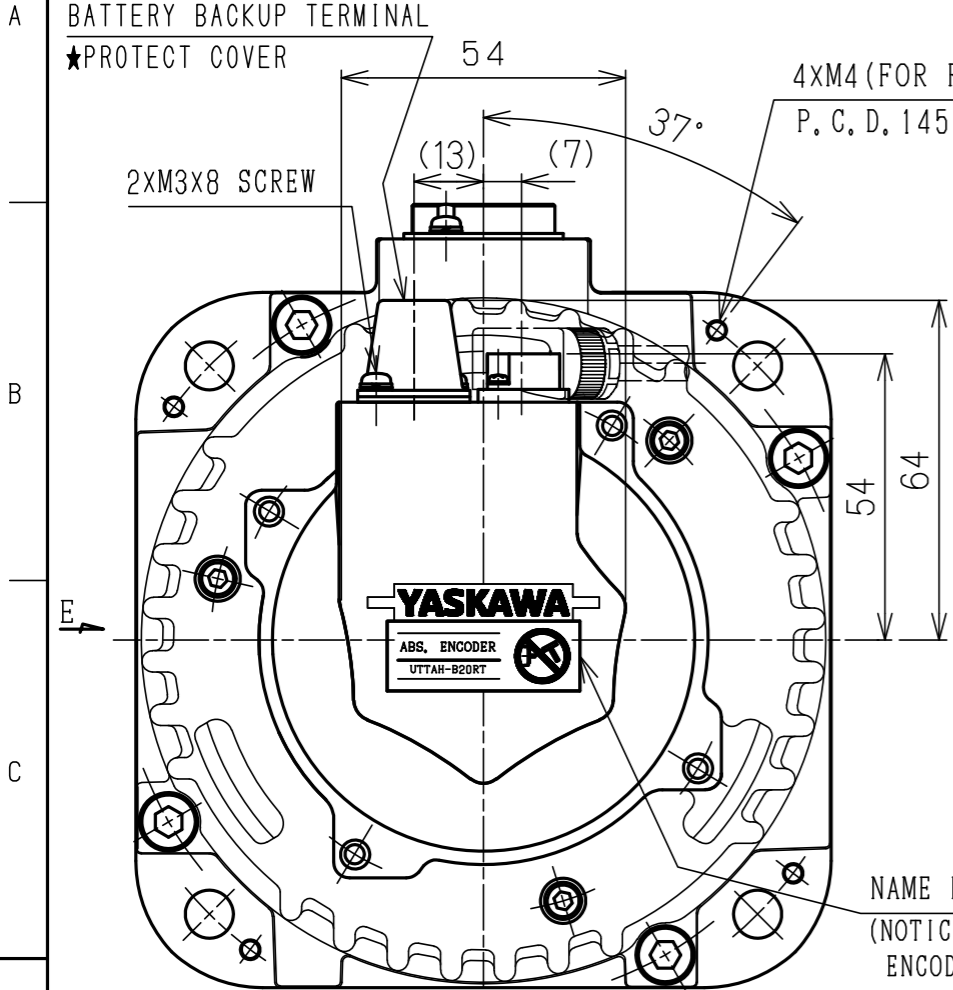
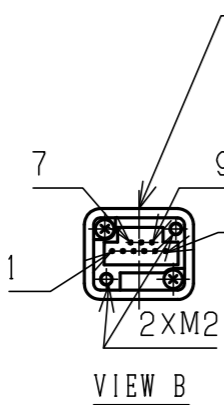


DWG.NO. HW1386422



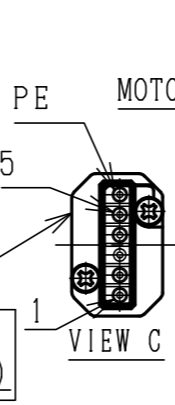
ENCODER TERMINAL CONNECTION (MOLEX)

PIN	SIGNAL
1	FG
2	PS2 (SLAVE)
3	PGOV
4	PS1 (MASTER)
5	*PS1 (MASTER)
6	PG5V
7	*PS2 (SLAVE)
8	BAT0V
9	BAT3.6V



MOTOR TERMINAL CONNECTION (JAE)

PIN	SIGNAL
1	PHASE W
2	PHASE V
3	PHASE U
4	BRAKE
5	BRAKE
PE	FRAME GROUND



- NOTES**
- ALL DIMENSIONS ARE IN MILLIMETERS.
 - MOTOR SPECIFICATIONS : 900-238-225
 - ENCODER TYPE : UTTAH-B20RT
 - THIS ENCODER IS MULTI-DROP SPECIFICATION AND SUPPORTS SAFETY FUNCTION.
 - DEGREES OF PROTECTION: IP65 EXCEPT FOR SHAFT OPENING.
 - VIBRATION : 15µm OR BELOW.
 - MOTOR WITH OIL SEAL SHOULD BE OPERATED UNDER THE FOLLOWING CONDITIONS.
 - TAKE CARE THAT METAL POWDER OF THE GEAR DOES NOT COME TO THE OIL SEAL LIP PART.
 - USE IT IN SUCH A STATE THAT GREASE IS SUPPLIED TO THE OIL SEAL LIP PART.
 - DIMENSIONS OF THE KEYWAY ARE CONFORMED TO JIS (JAPANESE INDUSTRIAL STANDARD) NO. B1301 "SUNK KEYS AND THEIR CORRESPONDING KEYWAYS (CLOSE KEYS)".
 - RESIN RETAINER AND UREA TYPE GREASE IS USED FOR BEARING OF MOTOR AND ENCODER.
 - USE THE BOLT TO CLOSE THE GREASE DRAIN.
 - WHEN CONNECTING THE BACKUP BATTERY, REMOVE THE PROTECT COVER (PART ★) AND CONNECT.
 - HOLDING BRAKE IS FOR POSITION HOLDING. DO NOT USE TO STOP THE MOTOR.

BATTERY BACKUP TERMINAL CONNECTION (NICHIFU)

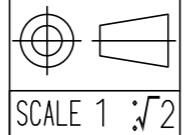
PC-2005M	BATTERY(+)
PC-2005F	BATTERY(-)

ITEM NO.	TYPE	RATED OUTPUT kW	RATED TORQUE N·m	TIME RATING	RATED SPEED min ⁻¹	MAX SPEED min ⁻¹	RATED CURRENT A	WEIGHT kg	HOLDING BRAKE SPECIFICATIONS			
									STATIC FRICTION TORQUE N·m	EMERGENCY BRAKING TORQUE N·m	VOLTAGE V	CAPACITY W
1	SGM7G-05APK-YR11	0.45	2.86	CONT.	1500	6200	7.3	6	2.9 OR MORE	4.4 OR LESS	DC24	12
2	SGM7G-05APK-YR21								4.3 OR MORE	6.5 OR LESS		

ITEM NO.	TYPE	RATED OUTPUT kW	RATED TORQUE N·m	TIME RATING	RATED SPEED min ⁻¹	MAX SPEED min ⁻¹	RATED CURRENT A	WEIGHT kg	ALLOWABLE RADIAL LOAD N	ALLOWABLE THRUST LOAD N
1	SGM7G-05APK-YR11	0.45	2.86	CONT.	1500	6200	7.3	6	392 (SHAFT END)	147
2	SGM7G-05APK-YR21									

Note:
 1. All rights reserved.
 2. Please note that the data is subject to be deleted without advance notice.
 3. No warranty is given in relation to the data including the specification.
 4. We are not responsible for any damages or loss caused by the use of the data.

FOR STUDY PURPOSE ONLY



Reference Drawing

TITLE FOR MOTOMAN DIMENSIONS OF AC SERVOMOTOR

DRWN DATE Apr.25'19
 DWG.NO. HW1386422

SIZE A3