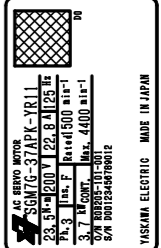
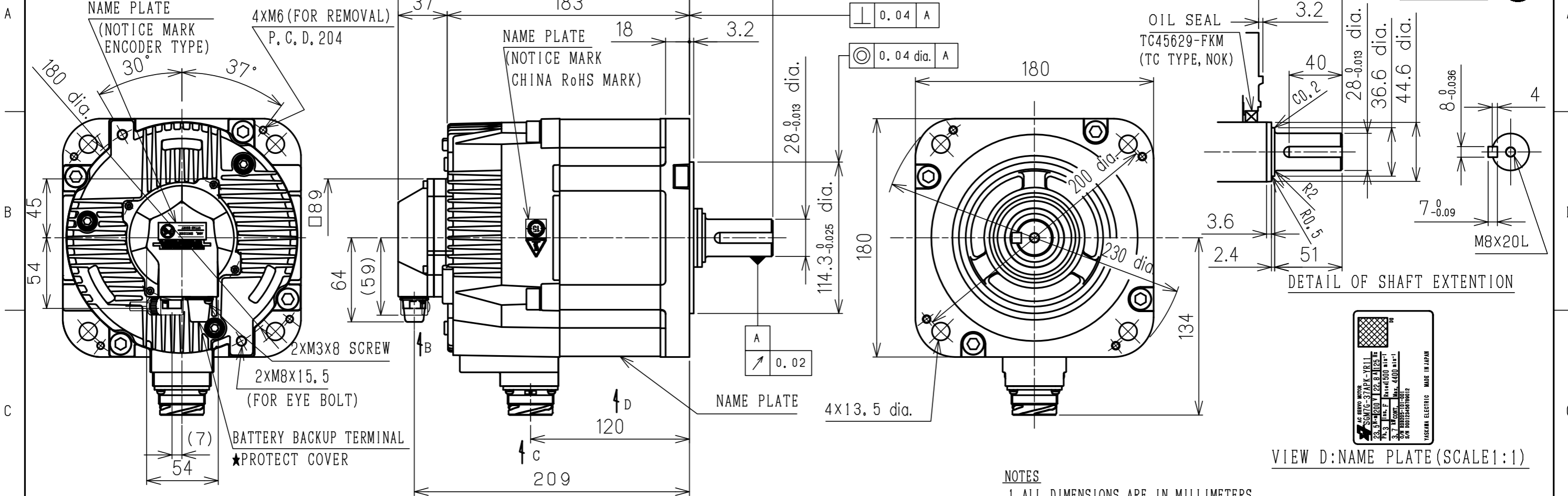
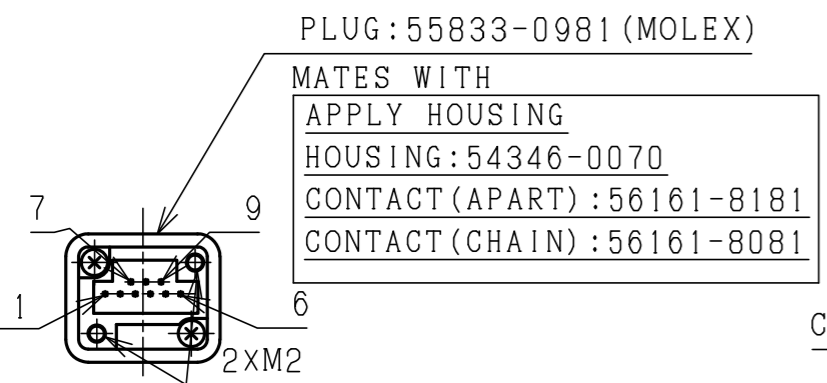


DWG.NO. HW1386427

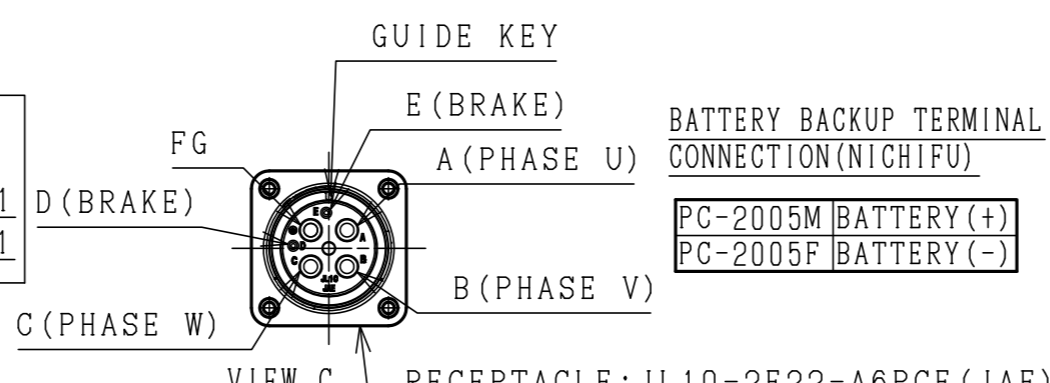


VIEW D: NAME PLATE (SCALE 1:1)

- NOTES**
- ALL DIMENSIONS ARE IN MILLIMETERS.
 - MOTOR SPECIFICATION : 900-238-230
 - ENCODER TYPE : UTTAH-B20RT
 - DEGREES OF PROTECTION: IP67 EXCEPT FOR SHAFT OPENING.
 - VIBRATION : 15µm OR BELOW.
 - MOTOR WITH OIL SEAL SHOULD BE OPERATED UNDER THE FOLLOWING CONDITIONS.
 - TAKE CARE THAT METAL POWDER OF THE GEAR DOES NOT COME TO THE OIL SEAL LIP PART.
 - USE IT IN SUCH A STATE THAT GREASE IS SUPPLIED TO THE OIL SEAL LIP PART.
 - DIMENSIONS OF THE KEYWAY ARE CONFORMED TO JIS (JAPANESE INDUSTRIAL STANDARD) NO. B1301 "SUNK KEYS AND THEIR CORRESPONDING KEYWAYS (CLOSE KEYS)".
 - RESIN RETAINER AND UREA TYPE GREASE IS USED FOR BEARING OF MOTOR AND ENCODER.
 - WHEN CONNECTING THE BACKUP BATTERY, REMOVE THE PROTECT COVER (PART ★) AND CONNECT.
 - HOLDING BRAKE IS FOR POSITION HOLDING, DO NOT USE TO STOP THE MOTOR.



VIEW B (SCALE 1:1)
ENCODER TERMINAL CONNECTION (MOLEX)



VIEW C (SCALE 1:2)

MOTOR TERMINAL CONNECTION (JAE)

PIN	SIGNAL
1	FG
2	PS2 (SLAVE)
3	PG0V
4	PS1 (MASTER)
5	*PS1 (MASTER)
6	PG5V
7	*PS2 (SLAVE)
8	BAT0V
9	BAT3.6V

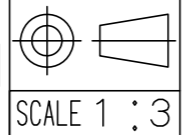
PIN	SIGNAL
A	PHASE U
B	PHASE V
C	PHASE W
D	BRAKE
E	BRAKE
FG	FRAME GROUND

HOLDING BRAKE SPECIFICATIONS			
STATIC FRICTION TORQUE N·m	EMERGENCY BREAKING TORQUE N·m	VOLTAGE V	CAPACITY W
43.1 OR MORE	65 OR LESS	DC24V	18.5

TYPE	RATED OUTPUT kW	RATED TORQUE N·m	TIME RATING	RATED SPEED min ⁻¹	MAX SPEED min ⁻¹	RATED CURRENT A	WEIGHT kg	ALLOWABLE RADIAL LOAD N	ALLOWABLE THRUST LOAD N
SGM7G-37APK-YR11	3.7	23.5	CONT.	1500	4400	22.8	21.5	980 (SHAFT END)	490

Note:
1. All rights reserved.
2. Please note that the data is subject to be deleted without advance notice.
3. No warranty is given in relation to the data including the specification.
4. We are not responsible for any damages or loss caused by the use of the data.

FOR STUDY PURPOSE ONLY



Reference Drawing

TITLE FOR MOTOMAN DIMENSIONS OF AC SERVOMOTOR

DRWN DATE Apr.25'19

DWG.NO. HW1386427

SIZE A3